



*Gaither*  
PROFESSIONAL EQUIPMENT

# REACHING FOR NEW HEIGHTS!



## INSTRUCTIONS FOR GT-20MSLP

// [GAITHERTOOL.COM](http://GAITHERTOOL.COM)

# GAITHER GT-20MSLP

Thank you for purchasing a Gaither Tools product. Manufactured to a high standard this product will, if used according to these instructions and properly maintained, give you years of trouble free performance.

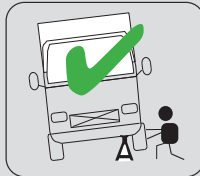
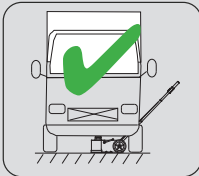
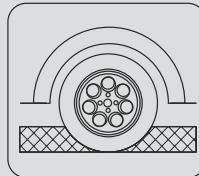


**IMPORTANT:**

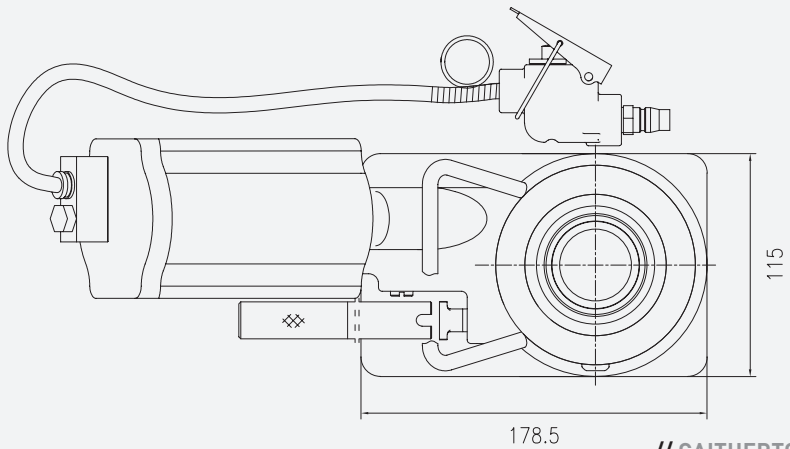
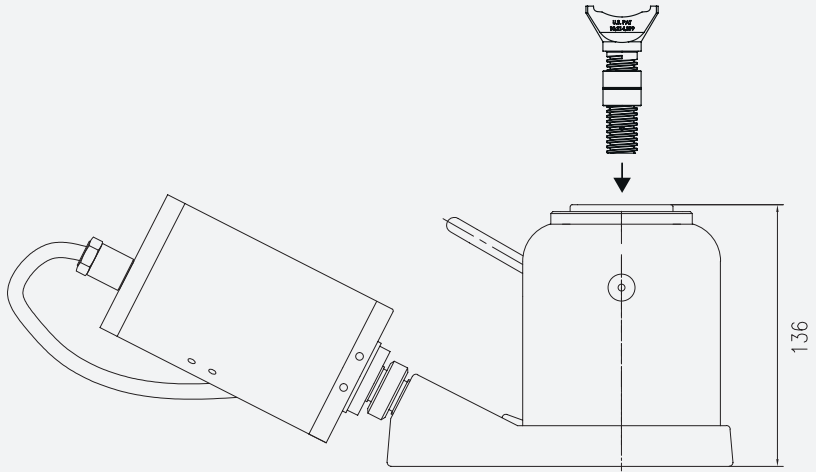
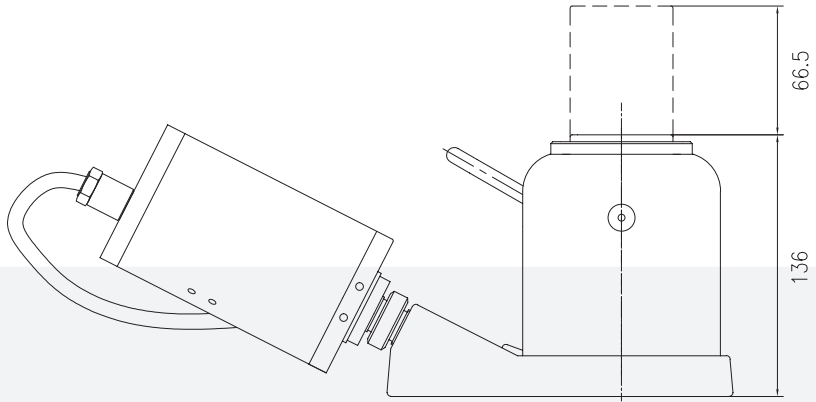
*PLEASE READ THESE INSTRUCTIONS CAREFULLY. NOTE THE SAFE OPERATIONAL REQUIREMENTS, WARNINGS AND CAUTIONS. USE THE PRODUCT CORRECTLY AND WITH CARE FOR THE PURPOSE FOR WHICH IT IS INTENDED. FAILURE TO DO SO MAY CAUSE DAMAGE AND/OR PERSONAL INJURY AND WILL INVALIDATE THE WARRANTY. PLEASE KEEP INSTRUCTIONS SAFE FOR FUTURE USE.*



## WARNINGS



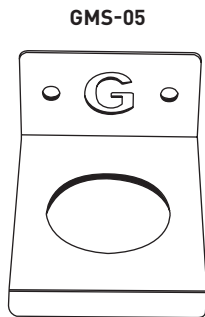
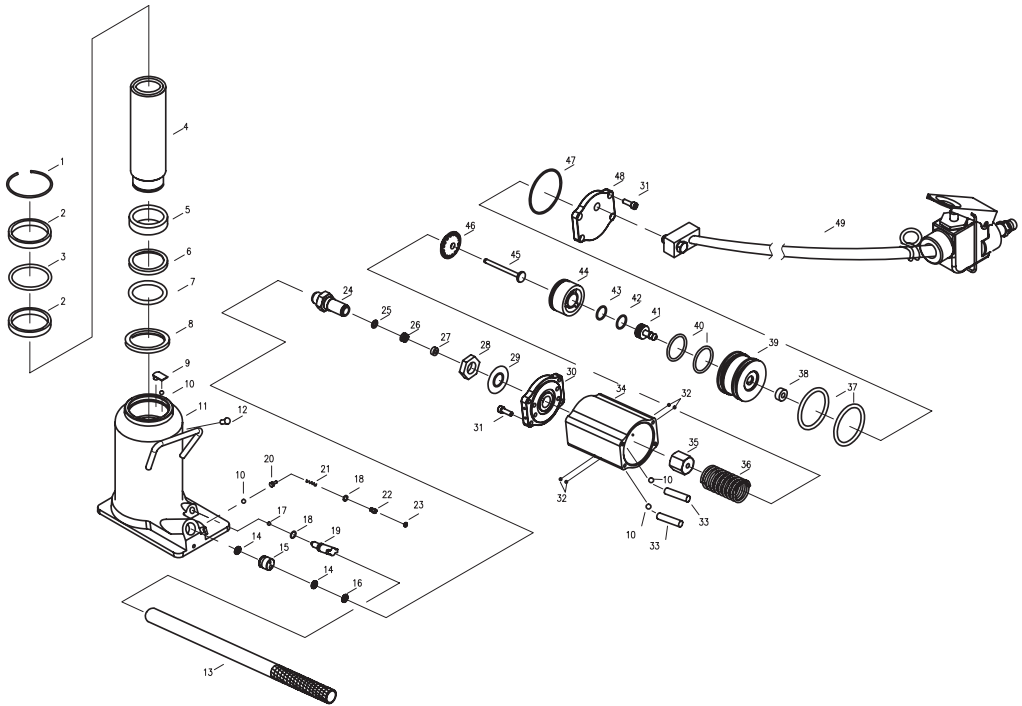
**MORE INFO AND INSTRUCTION VIDEOS VISIT [GAITHERTOOL.COM](http://GAITHERTOOL.COM)**



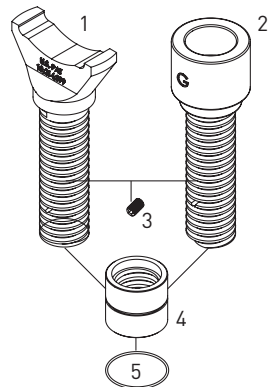
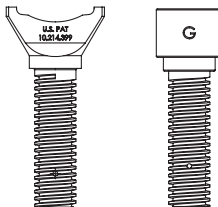
GAITHER

# GT-20MSLP

Spare parts



**GMSY-01LP GMSR-01LP**



ART NR	DESCRIPTION	QTY	ART NR	DESCRIPTION	QTY
GT-20MSLP-1	SNAP RING	1	GT-20MSLP-26	NYLON GASKE	1
GT-20MSLP-2	BUSHING	2	GT-20MSLP-27	COPPER WASHER	1
GT-20MSLP-3	O-RING	1	GT-20MSLP-28	NUT	1
GT-20MSLP-4	PISTON ROD	1	GT-20MSLP-29	BUTTERFLY SPRING	1
GT-20MSLP-5	PISTON RING	1	GT-20MSLP-30	BASE COVER	1
GT-20MSLP-6	WASHER	1	GT-20MSLP-31	SCREW	8
GT-20MSLP-7	O-RING	1	GT-20MSLP-32	STEEL BALL 3.0000 G10	4
GT-20MSLP-8	SNAP RING	1	GT-20MSLP-33	CRAFT PLUG	2
GT-20MSLP-9	BALL RETAINER	1	GT-20MSLP-34	AIR MOTER HOUSING	1
GT-20MSLP-10	STEEL BALL 4.0 G10	4	GT-20MSLP-35	NUT	1
GT-20MSLP-11	PUMP ASSEMBLY	1	GT-20MSLP-36	SPRING	1
GT-20MSLP-12	OIL FILLER PLUG	1	GT-20MSLP-37	O-RING	2
GT-20MSLP-13	HANDLE	1	GT-20MSLP-38	SHUTTLE VALVE SEAL	1
GT-20MSLP-14	COPPER WASHER	2	GT-20MSLP-39	PISTION	1
GT-20MSLP-15	VALVE BLOCK	1	GT-20MSLP-40	O-RING	2
GT-20MSLP-16	NYLON GASKET	1	GT-20MSLP-41	AIR SHUTTLE VALVE	1
GT-20MSLP-17	STEEL BALL 6.0 G10	1	GT-20MSLP-42	O-RING	1
GT-20MSLP-18	O-RING	2	GT-20MSLP-43	O-RING	1
GT-20MSLP-19	RELEASE ROD	1	GT-20MSLP-44	AIR PISTON BASE	1
GT-20MSLP-20	BALL SEAT	1	GT-20MSLP-45	AIR PUMP PLUNGER	1
GT-20MSLP-21	SAFETY VALVE SPRING	1	GT-20MSLP-46	WASHER	1
GT-20MSLP-22	PRESSURE ADJ. SCREW	1	GT-20MSLP-47	O-RING	1
GT-20MSLP-23	CAP	1	GT-20MSLP-48	TOP COVER	1
GT-20MSLP-24	PUMP CYLINDER	1	GT-20MSLP-49	AIR LINE & VALVE ASSY	1
GT-20MSLP-25	Y-SEAL	1			

ART NR	DESCRIPTION	QTY
GMSY-01LP	Y ADAPTOR	1
GMSR-01LP	ROUND ADAPTOR	1
GT-20MSLPY-3	HEX SOCKET HEAD CAP SCREWS	2
GT-20MSLPY-4	ROUND NUTS	1
GT-20MSLPY-5	O-RING 1.5 MM	1
GMS-05	ADAPTOR HOLDER	1
GT-20MSLP-AM	AIR MOTOR	1
GT-20MSLP-AMRK	AIR MOTOR REPAIR KIT	1
GT-20MSLP-PURK	POWER UNIT REPAIR KIT	1

# GAITHER NOTES

Series of horizontal dotted lines for writing notes.



A series of horizontal dotted lines spanning the width of the page, intended for handwritten notes or a list.



# ABOUT US

Gaither Tool Co. founded in 1988, is an international organization committed to serving the tire and trucking industry. It invents and manufactures convenient tools and systems needed to service and maintain tires and wheel assemblies.

Gaither Tool Co. continually invests in research and development to bring to its customers the most effective tools in the business. It strives to improve efficiency and reduce costs for customers all over the world working in truck maintenance shops as well as on-the-road tire service providers. Bandag, Euromaster/Michelin, Bridgestone's First Stop, The United States Armed Forces... just to name a few.

Gaither supplies products to customers in over 100 countries, selling through exclusive and nonexclusive distributors. Gaither Tool Co. is headquartered in Jacksonville, Illinois, U.S.A. In 1997 it opened a branch office located in Roosendaal, Holland to better serve the European market. In 1999 that office was incorporated in Holland and Gaither Europe BV was started. Gaither's manufacturing plant and warehousing for International distribution is located in Taichung, Taiwan.

With a strategically placed location in both The United States and The Netherlands, we are able to serve the global industry



## CONTACT US

[gaithertool.com](http://gaithertool.com)

### GAITHER TOOL CO.

2255 West Morton Ave.  
Jacksonville, Illinois 62650 USA

t 217.245.0545 | 800.452.5010  
f 217.245.0940  
e [sales@gaithertool.com](mailto:sales@gaithertool.com)

### GAITHER EUROPE BV THE NETHERLANDS

Rechtsaad 6  
4703 RC Roosendaal (Holland)

t +31 (0) 165 554475  
f +31 (0) 165 391819  
e [evd@gaithereurope.com](mailto:evd@gaithereurope.com)



## CHANGING THE WAY THE WORLD SERVICES YOUR TIRES